

Safety Light Curtain – Quick Start Guide

Safety Light Curtain application overview

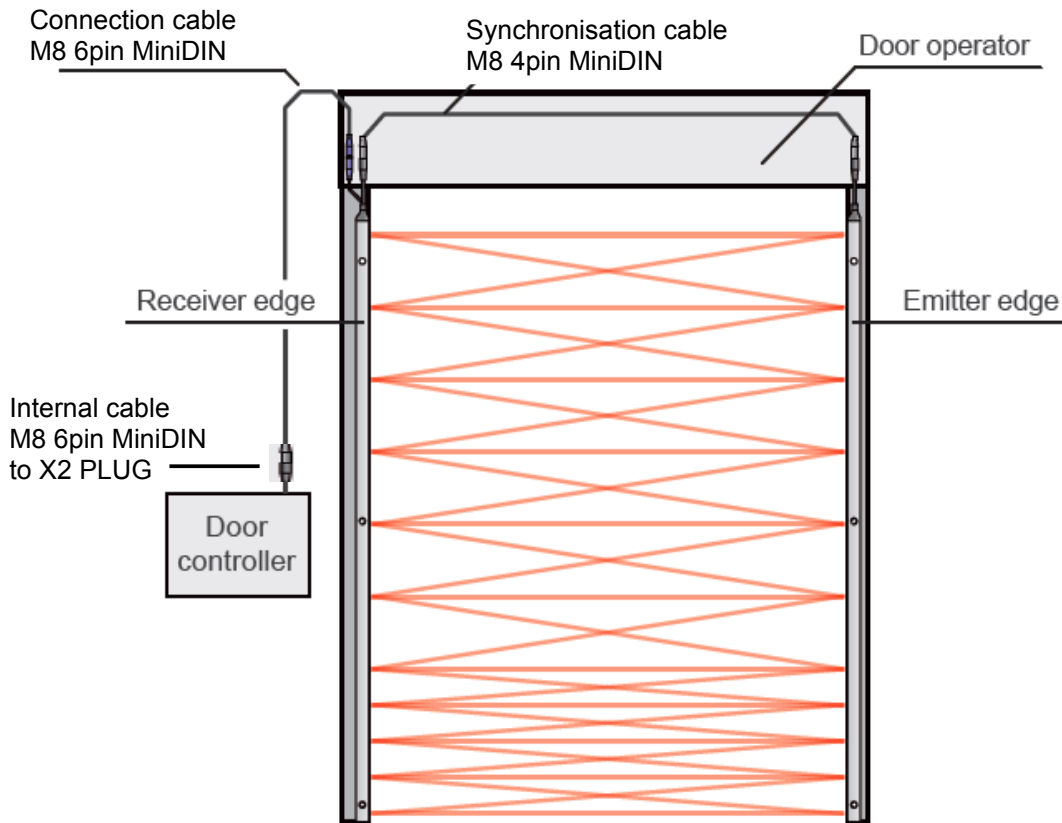
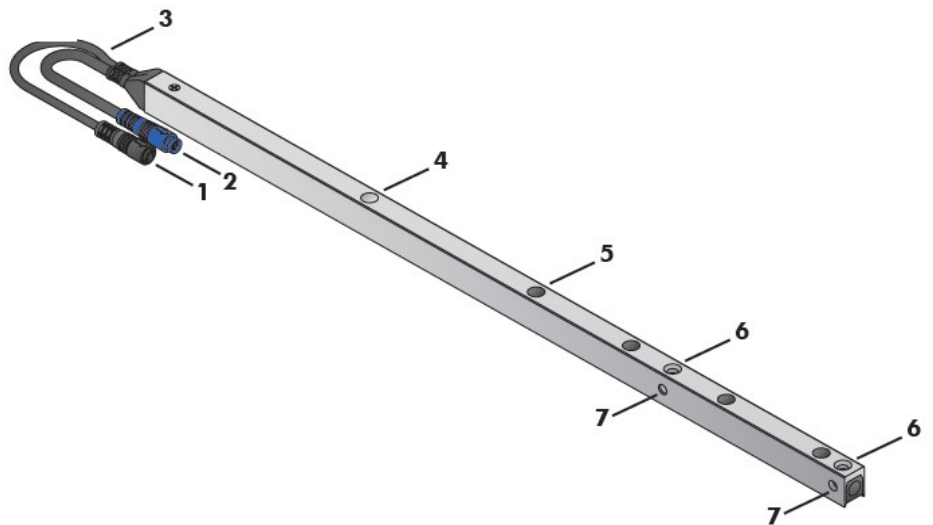


Figure 1: Receiver RX

- 1 Synchronization plug
- 2 Connection plug (Receiver edge only)
- 3 Cables 0.5 m (1.6 ft)
- 4 Status LED
- 5 Optical element
- 6 Mounting hole (vertical)
- 7 Mounting hole (horizontal)



Installation Options

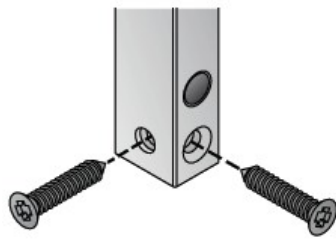
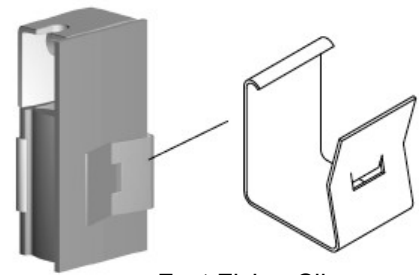


Figure 2: Front or side mounting

M3.5 x 30mm screw



Fast Fixing Clip

Figure 3: Plan view
Installed Safety Light Curtain
New High Speed Door

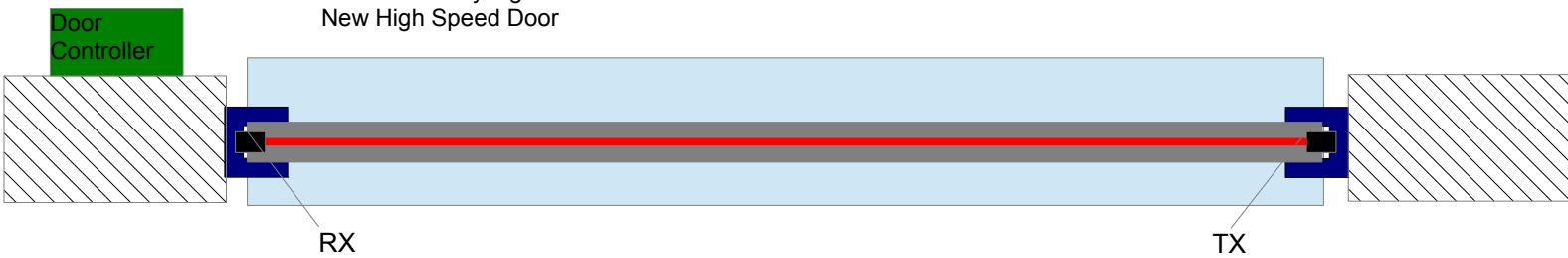
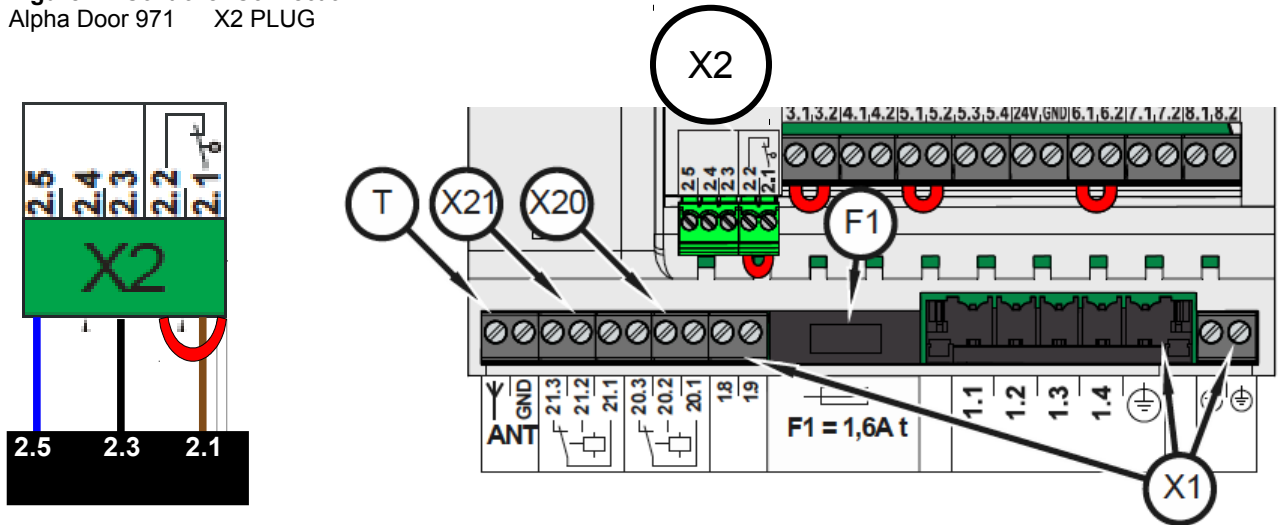


Figure 4: Controller Connection
Alpha Door 971 X2 PLUG



Cable Connections

2.1	24vdc	Brown
2.2		White
2.3	FSS Output	Black
2.4		
2.5	GND	Blue
	Not Used	Green
	Not Used	Gray